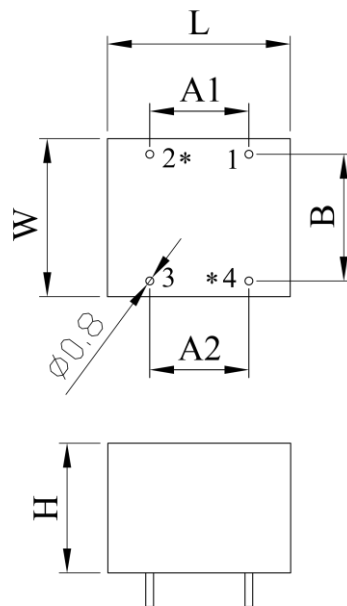


Datasheet for Voltage Transformer(Current Type)

1. Features :

- Good linearity, high precision, wide operating range.
- Operating Temp.: $-40^{\circ}\text{C} \sim +85^{\circ}\text{C}$
- Working frequency: 50Hz~400Hz
- Fully-encapsulated, strong dielectric strength
- Being able to be directly welded on PCB
- Rated load resistance: $100\text{k}\Omega @ 500\text{DC}$
- UL 94-V0
- RoHS Compliance

2. Outline Dimensions (mm):

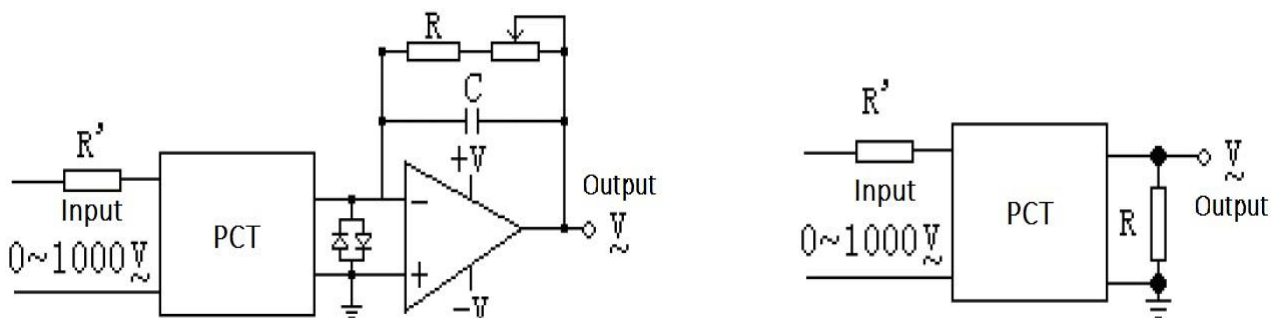


Mode	L	W	H	A1	A2	B
PCT1917	19	17	18.3	10.16	10.16	13
PCT1910	19.5	10.5	18	16.5	16.5	7.3
PCT1816	18	16.2	13.3	10.16	10.16	13
PCT2212	22	12	19	16.5	16.5	7.3

3. Electrical Characteristics:

Mode	Rated Input / Output	Secondary Burden	Accuracy
PCT1917	1mA / 1mA 2mA / 2mA	$\leq 500 \Omega$	0.1CL 0.2CL
PCT1910	1mA / 1mA 2mA / 2mA	$\leq 150 \Omega$	
PCT1816	1mA / 1mA 2mA / 2mA	$\leq 150 \Omega$	
PCT2212	1mA / 1mA 2mA / 2mA	$\leq 200 \Omega$	
0.1CL, Ratio error: $\leq 0.1\%$, Rating point phase error: $< 15'$, 0.2CL, Ratio error: $\leq 0.2\%$, Rating point phase error: $< 30'$ Linearity range: $5\%I_n \sim 120\%I_n$,			

4. Working Principle



There is a maximum sampling resistor value for different current type voltage transformer, please note for application to avoid the saturation of transformer and the distortion of output wave.